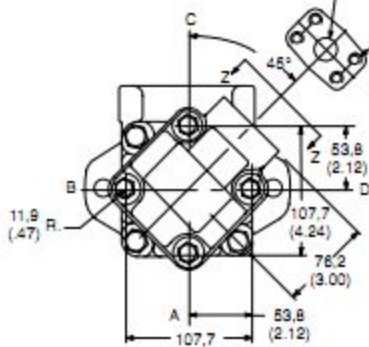




BOMBA DUPLA MODELO 2520VQ

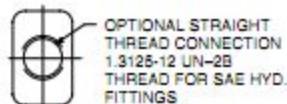
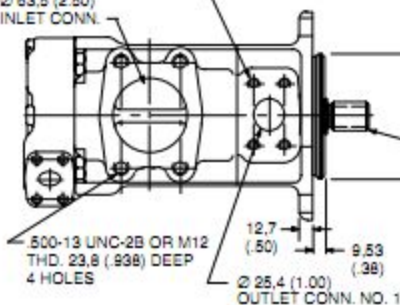
4-BOLT PORT CONNECTION PADS ARE FOR USE WITH 4-BOLT FLANGES. SEE PAGE 119 FOR SELECTION.

OPTIONAL STRAIGHT THREAD CONNECTION 1.0625-12 UN-2B THREAD FOR SAE HYD. FITTINGS



375 UNC-2B OR M10 THD.
19,05 (.75) DEEP - 4 HOLES

Ø 63,5 (2,50)
INLET CONN.



SEE SHAFT OPTIONS
STARTING ON PAGE 30.

375-16 UNC-2B OR M10 THD.
19,05 (.75) DEEP - 4 HOLES

VIEW Z-Z

